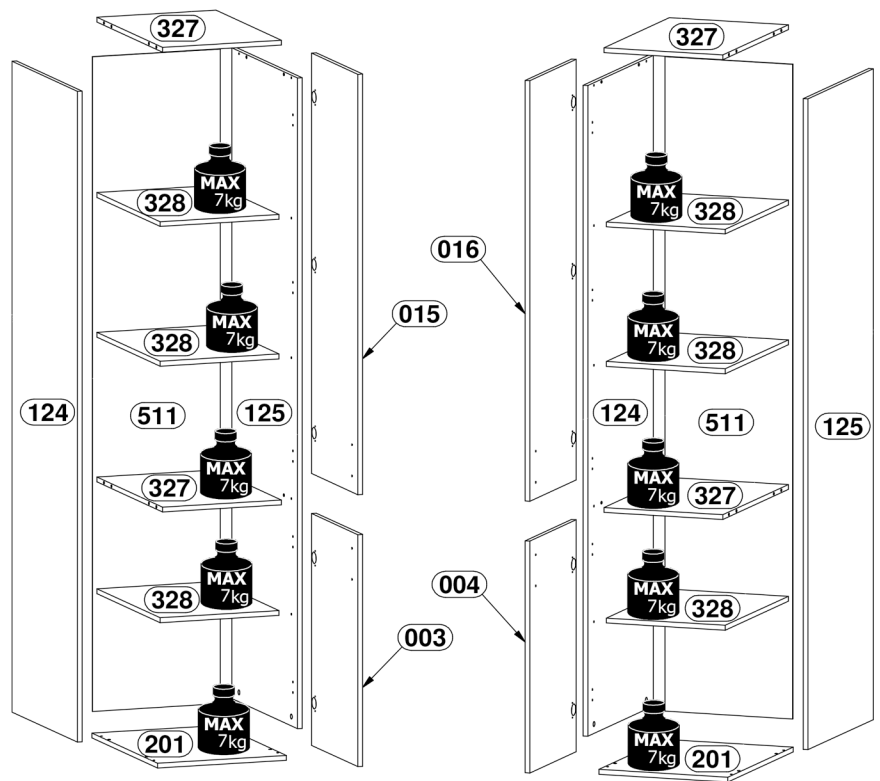
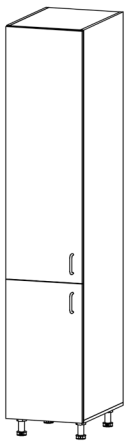
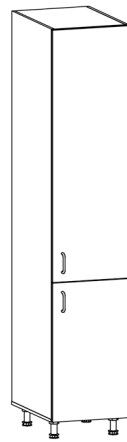
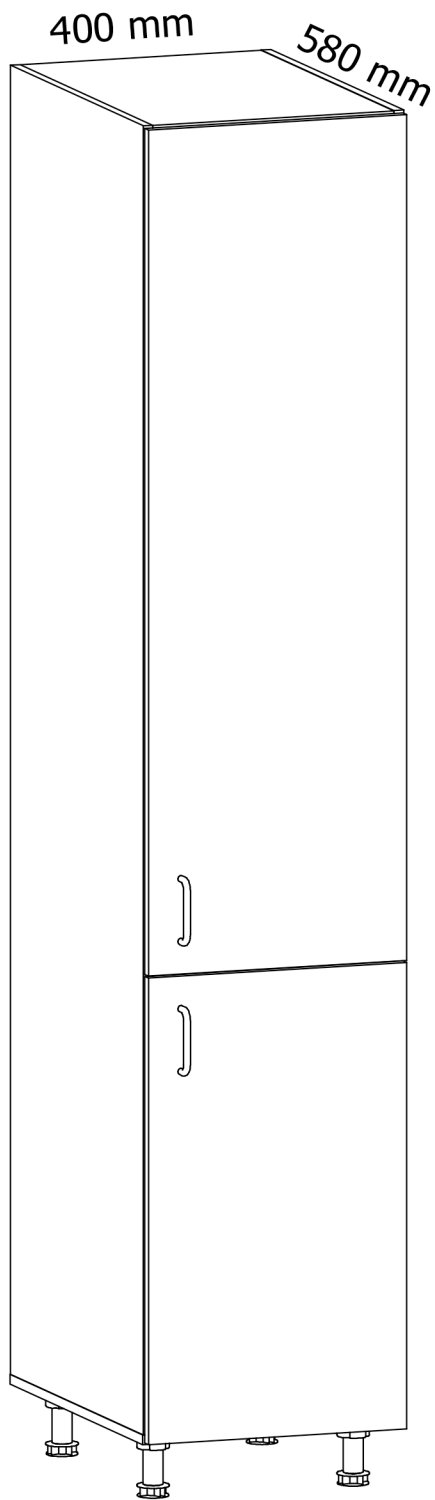
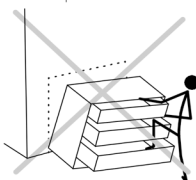
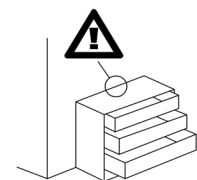
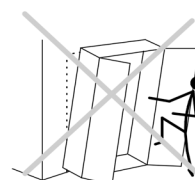
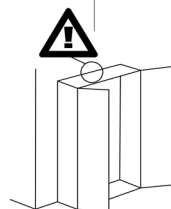


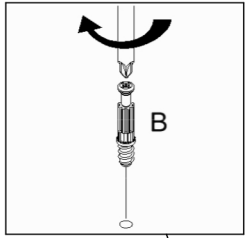
# D40SP



<b>A</b> x12  Ø8x35mm	<b>B</b> x12 	<b>C</b> x12  Ø15x12mm	<b>E</b> x12 
<b>G</b> x40 	<b>L1</b> x4 	<b>M</b> x2 	<b>T4</b> x1  75x28x16 mm
<b>W2</b> x28  Ø3,5x16mm	<b>Y</b> x12  Ø18 mm	<b>Zc</b> x5  Zc-1	 Zc-2

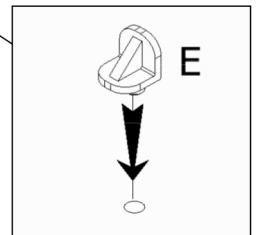
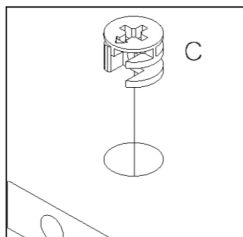
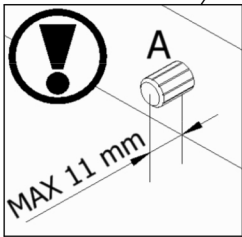


# 1

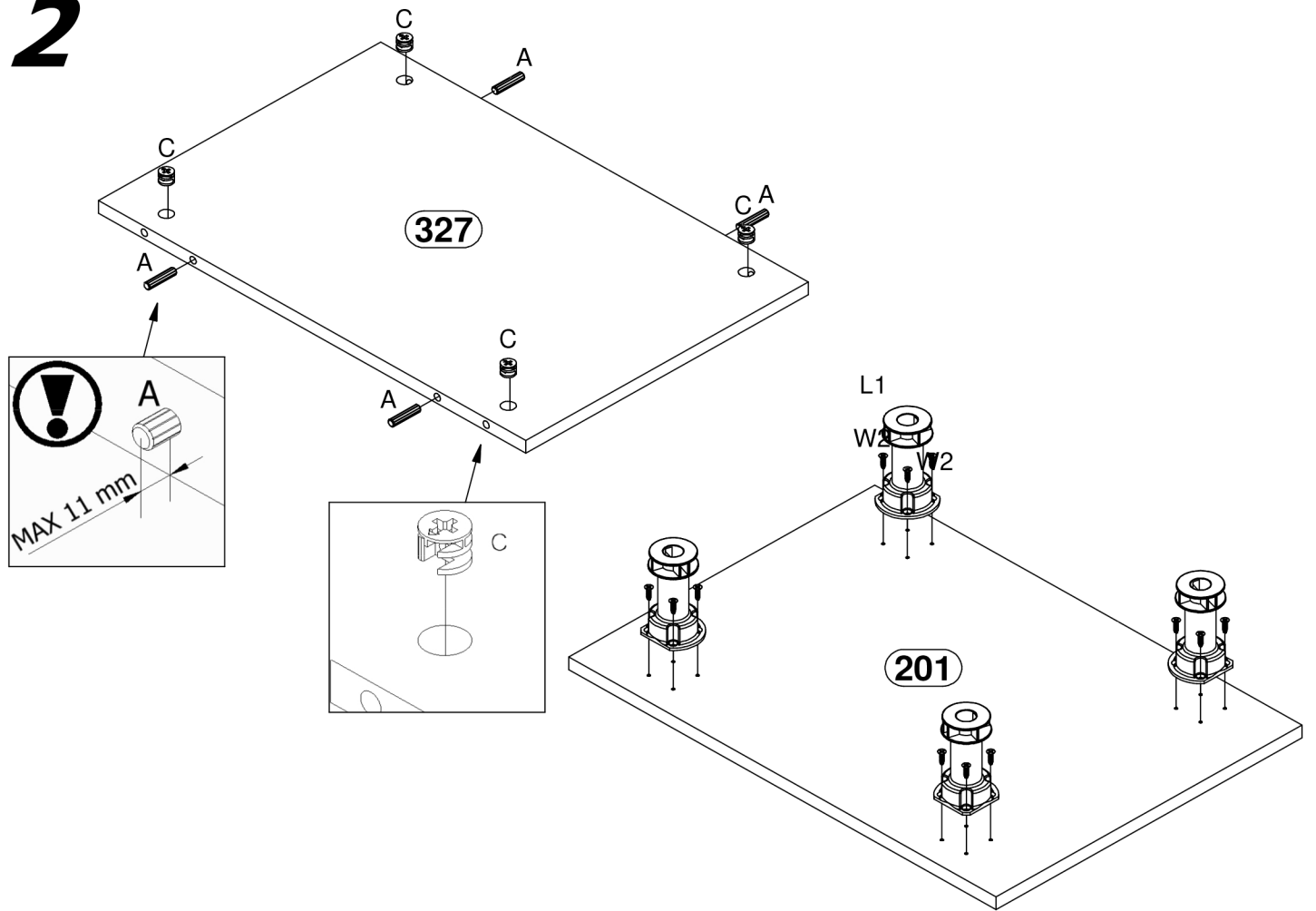


125

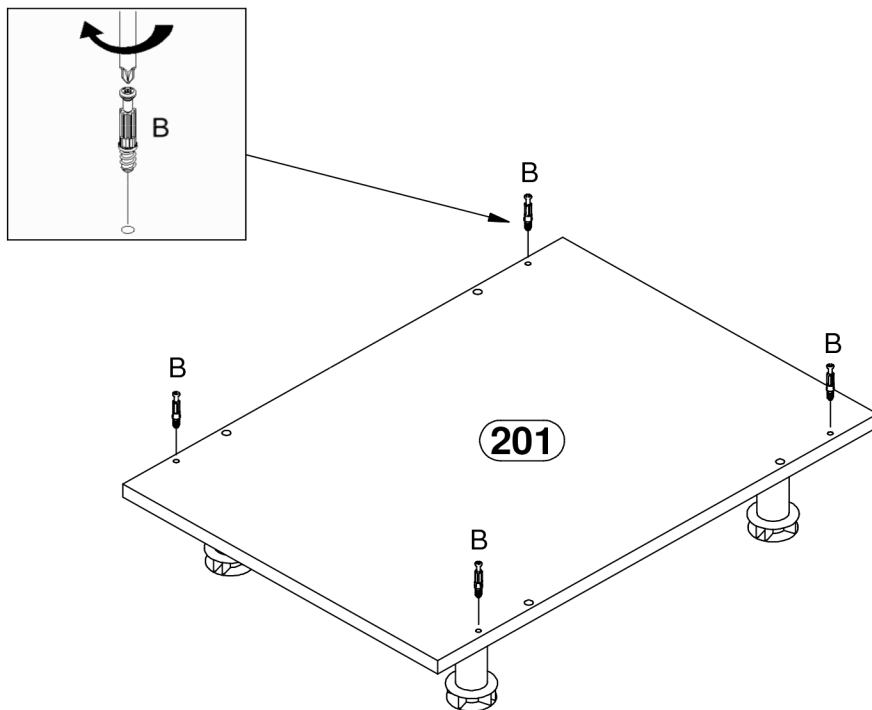
124



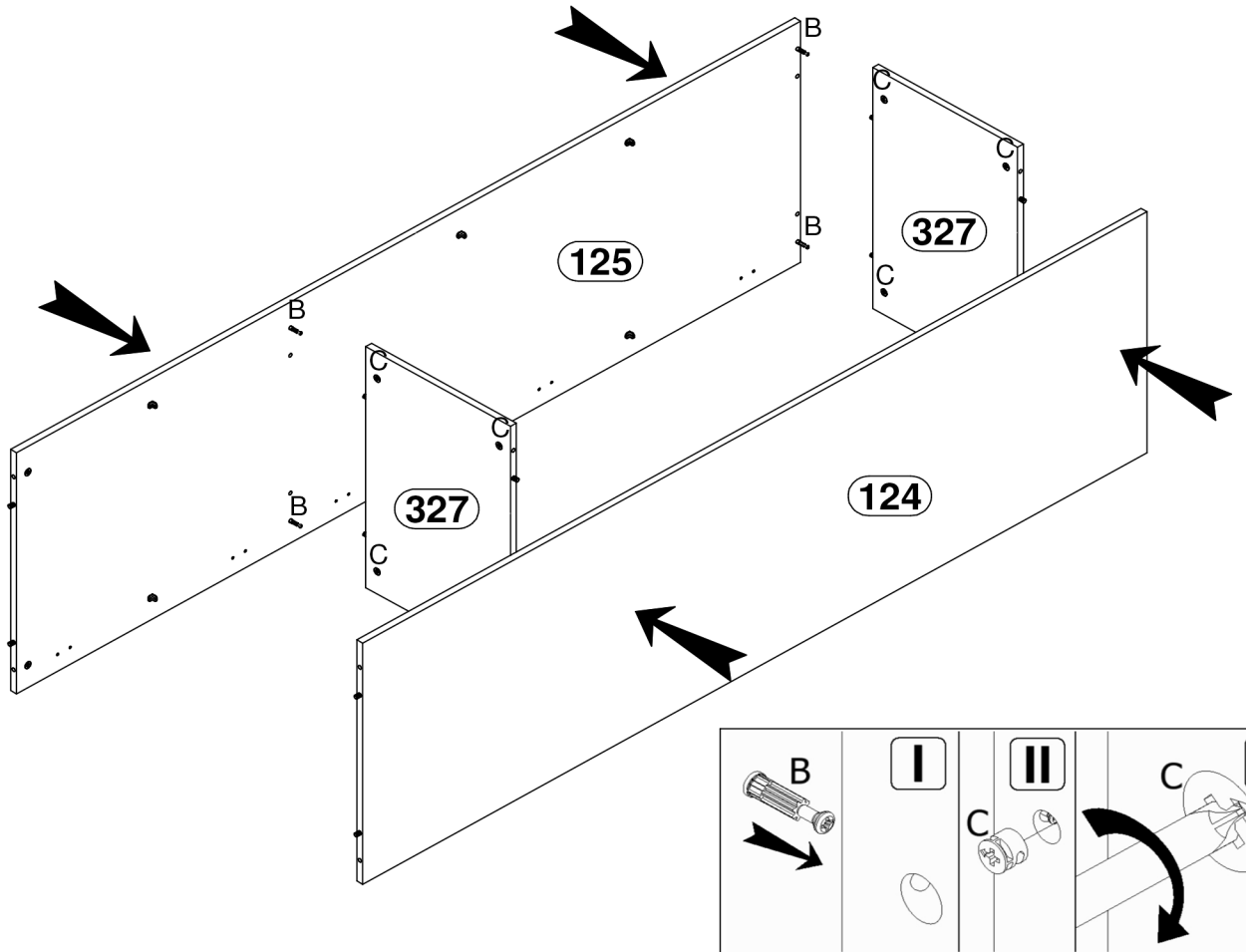
# 2



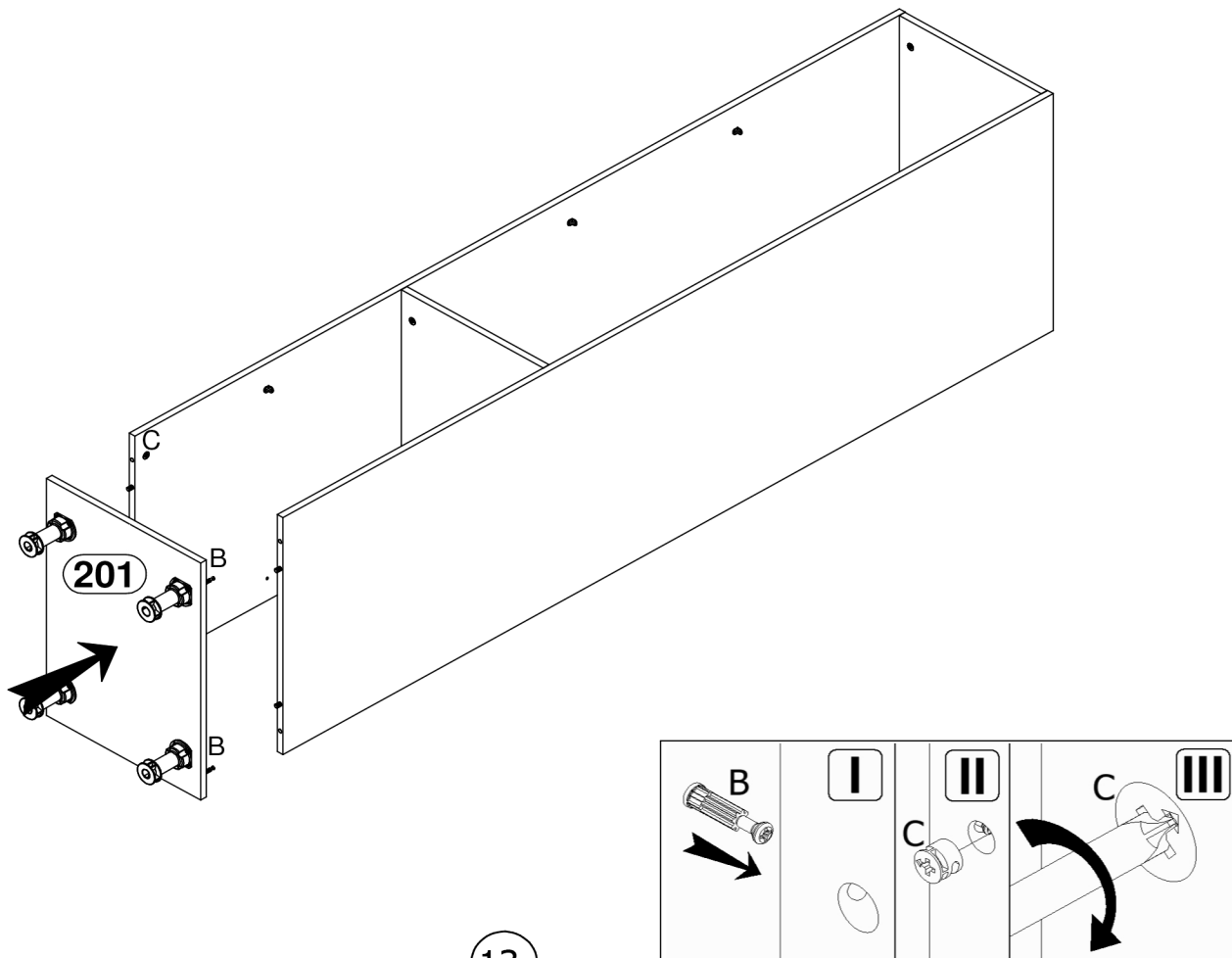
# 3



# 4

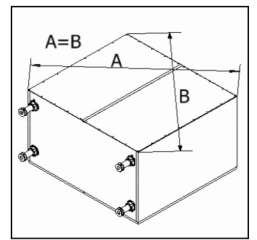
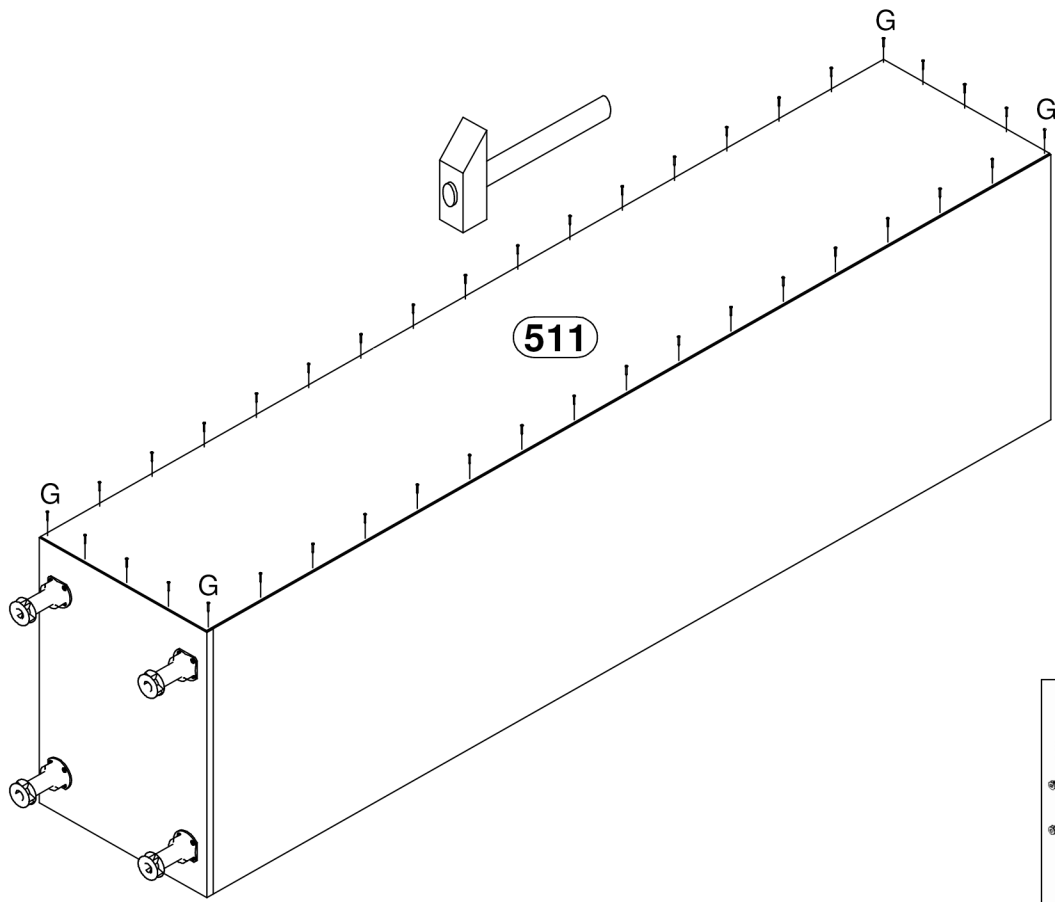


# 5

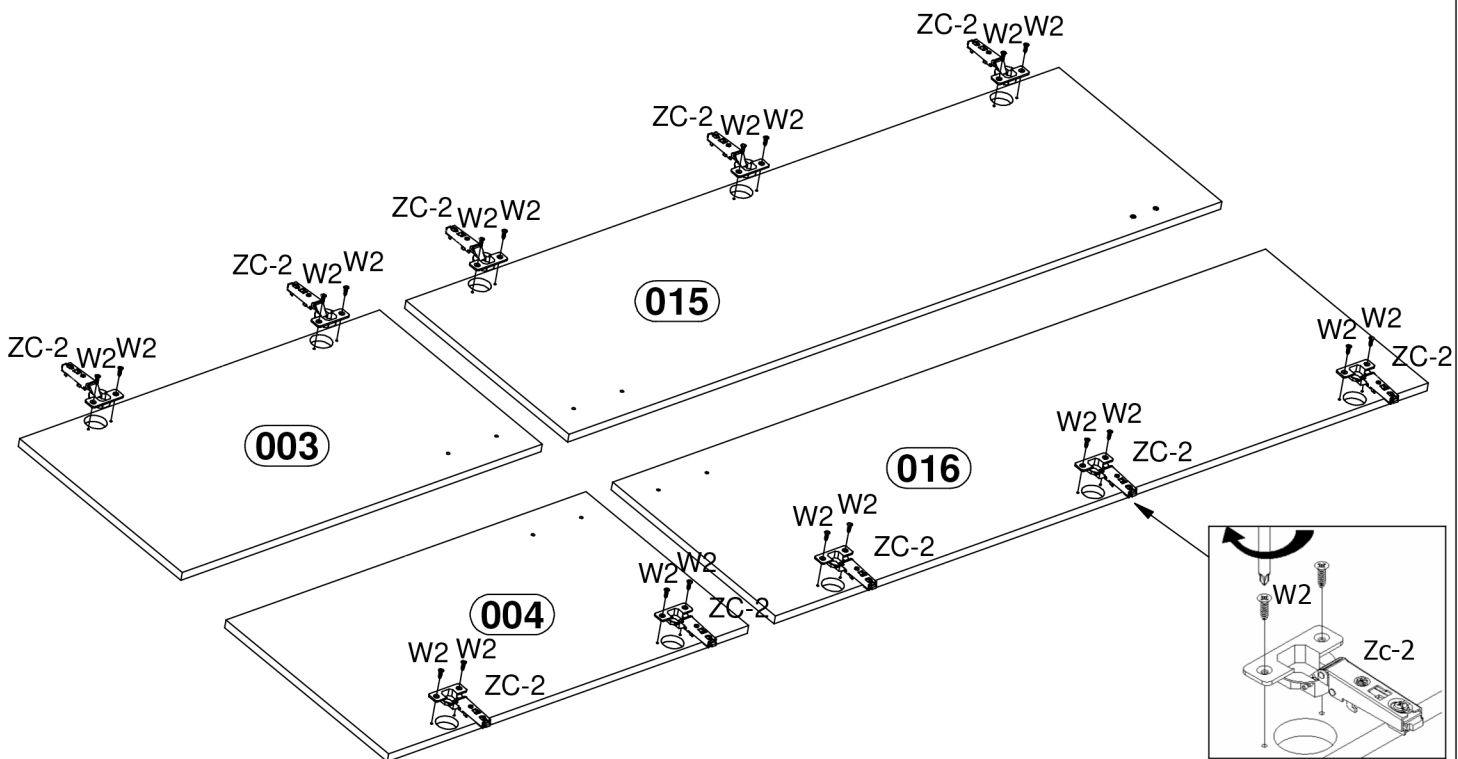




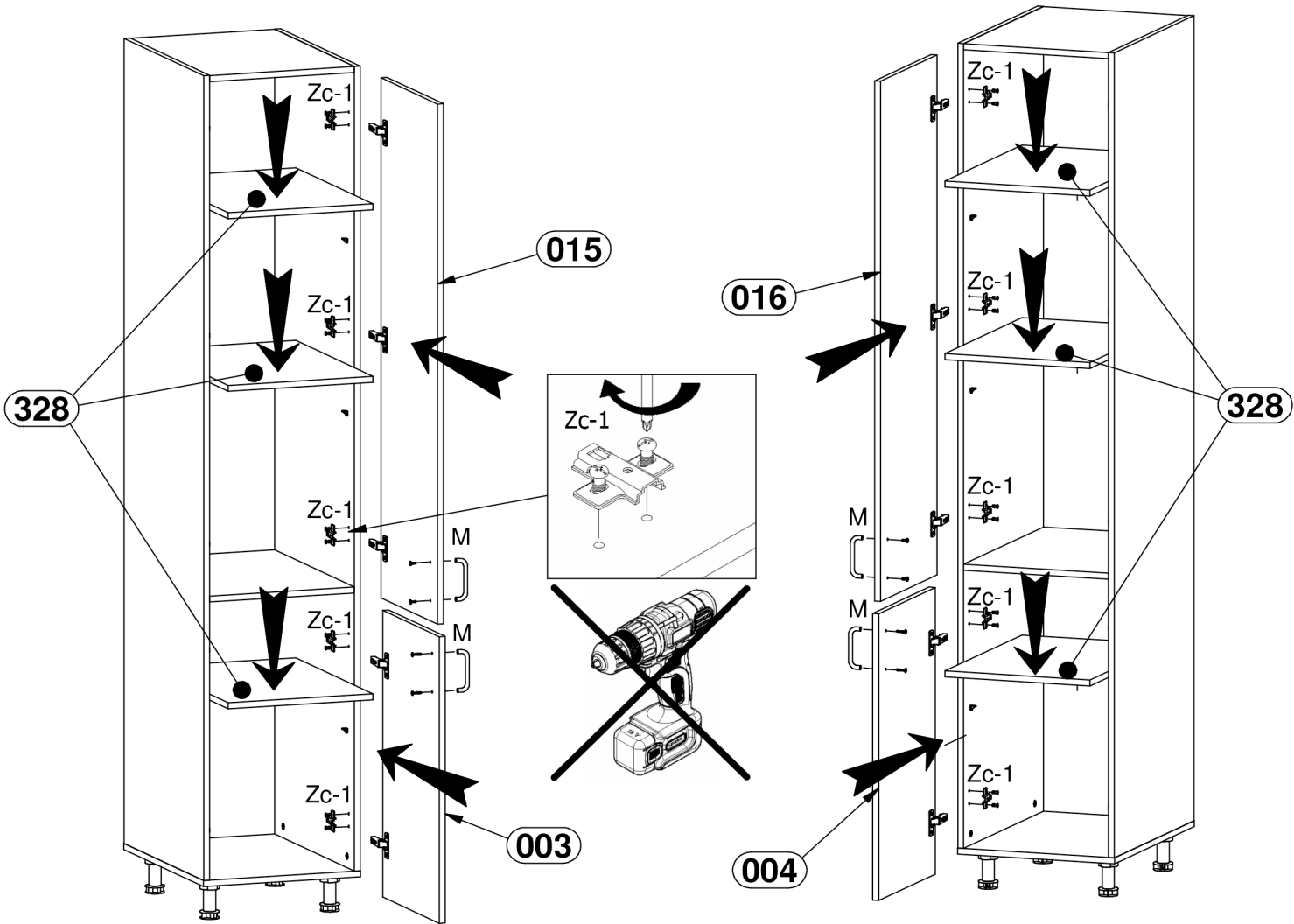
# 6



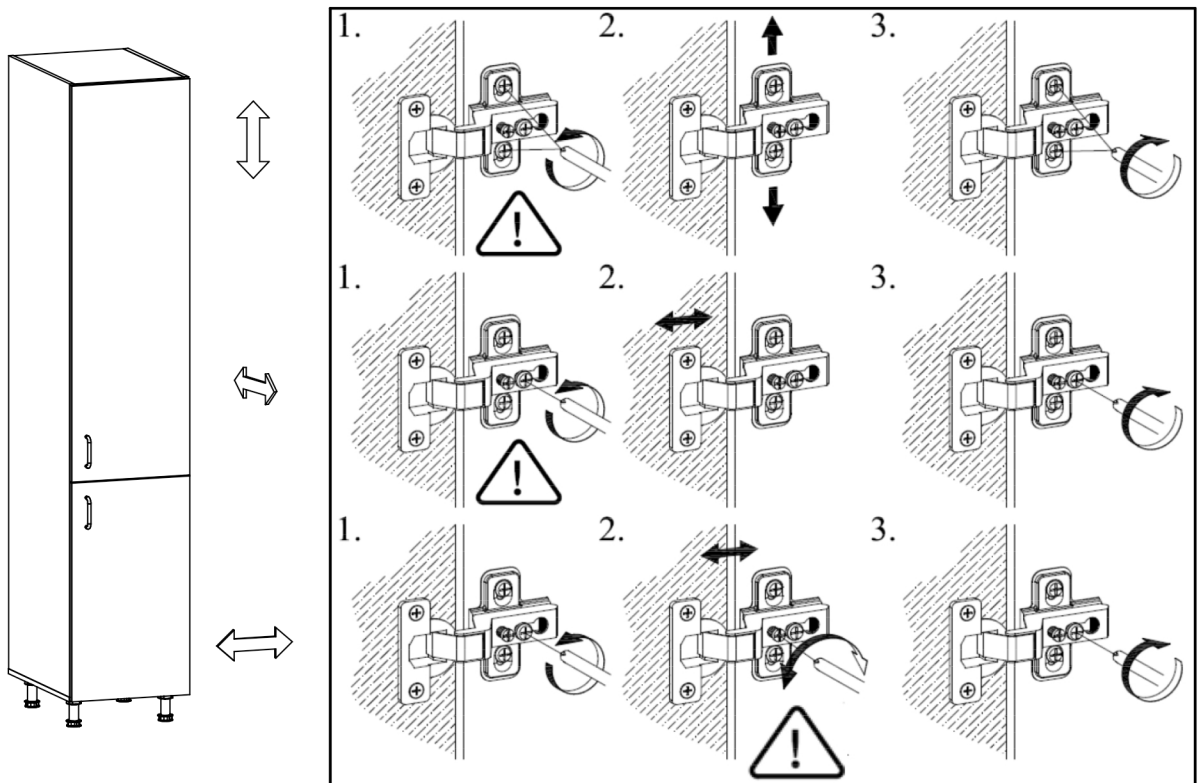
# 7



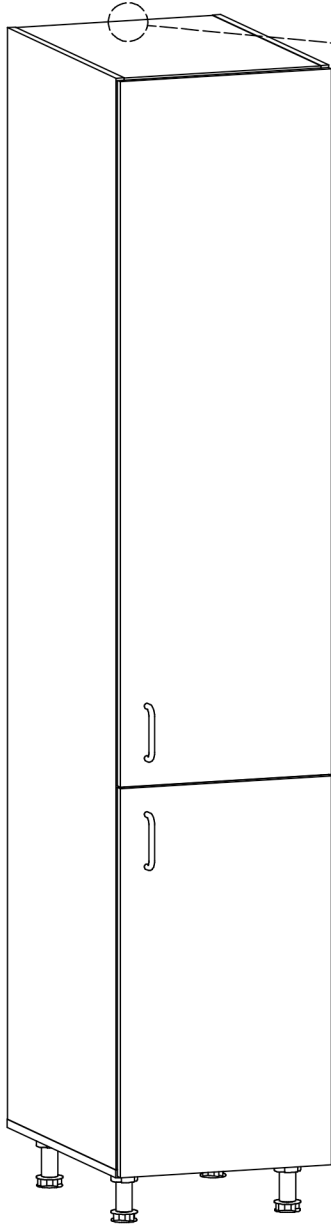
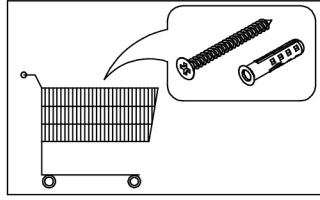
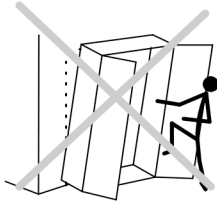
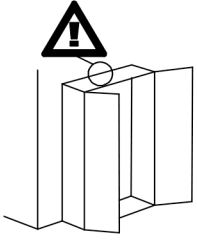
# 8



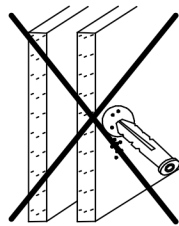
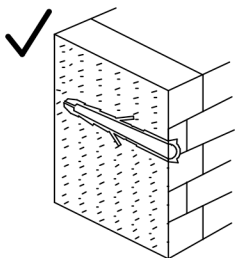
# 9

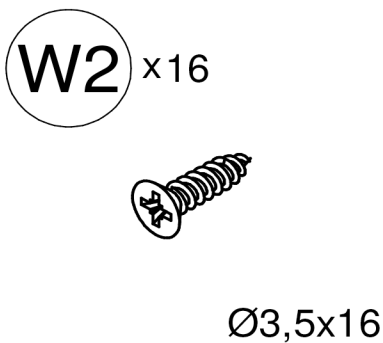
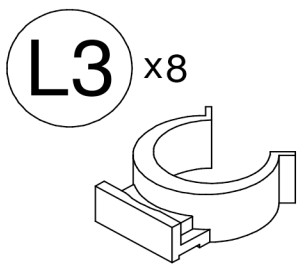
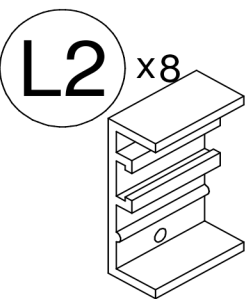
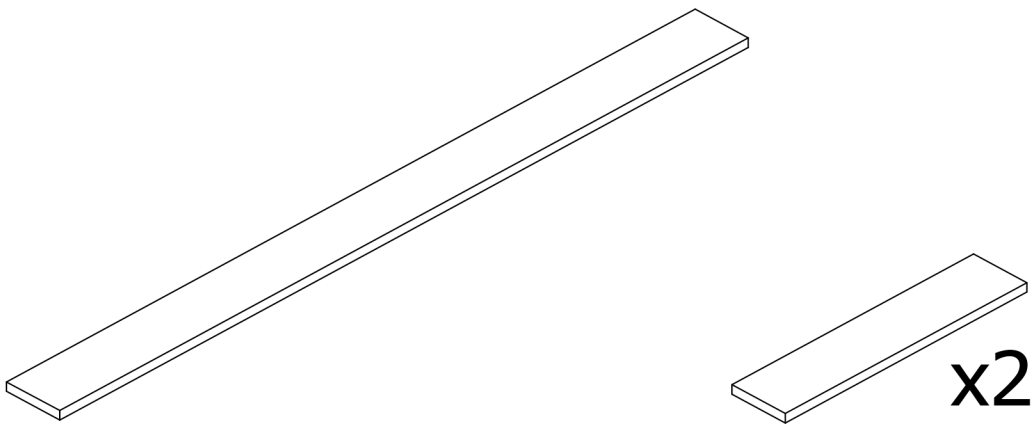
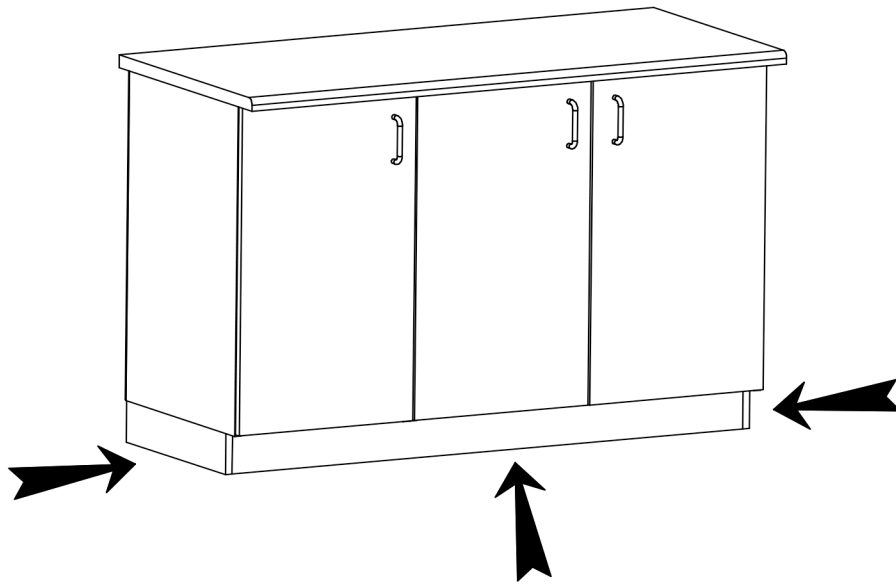


# 10

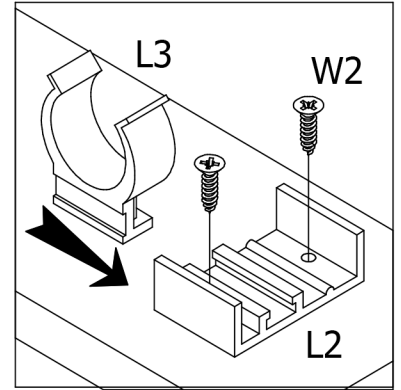
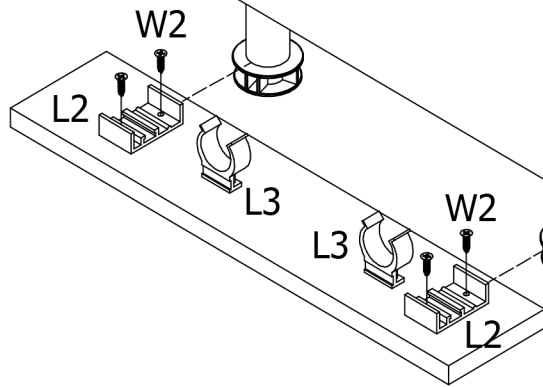


- I
- II
- III
- IV
- V
- VI





# 11



# 12

